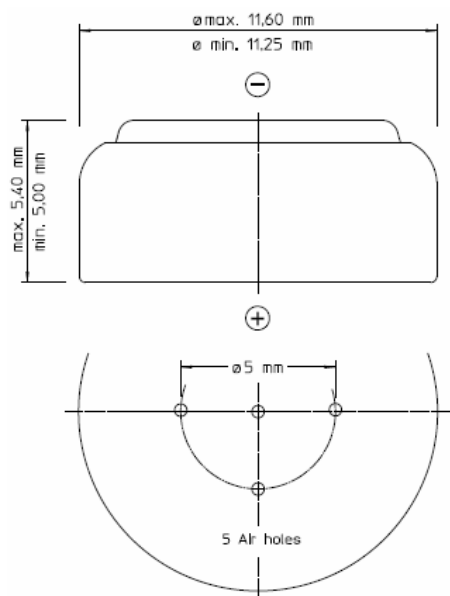


Data sheet p675 – Implant Plus



Specifications:

Chemical system:	Zinc / Air
Nominal voltage:	1,42 V
Rated Capacity:	570 mAh*
Rated Energy:	620 mWh*
Impedance:	4 Ω @ 1kHz
Weight:	approx 1,80 g
Volume:	approx 0,55 ccm
Storage:	10 - 30° C / 20 - 80 % r.h.
Operating:	0 - 45° C / 25 - 70 % r.h.
Short Exposition:	-10 - +65° C / 5 - 95 % r.h.

*Specified for Cochlear Implant

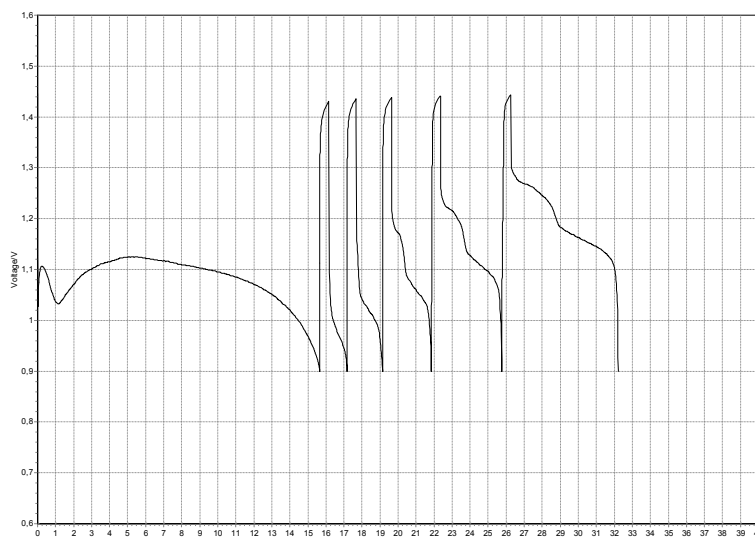
Dimensions:

According IEC60086-2 Nov. 2006

IEC: PR44

Typical discharge characteristics at 21° C / 60% r.H

Specified for Cochlear Implant.:



VARTA Microbattery GmbH
 Daimlerstraße 1
 D 73479 Ellwangen
 Tel.: +49 7961 921 0
 www.varta-microbattery.com

This data is subject to change without prior notice. Performance information is typical. Contact VARTA for latest information. November 2008